

To suit walls 100mm - 125mm inner masonry

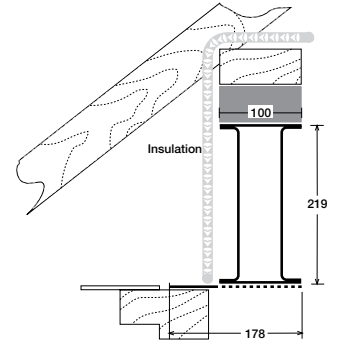
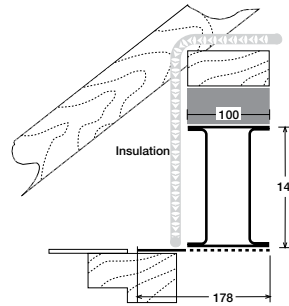
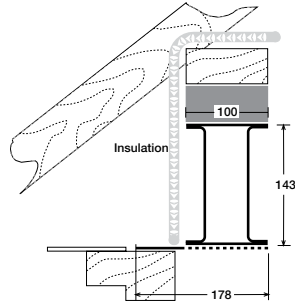
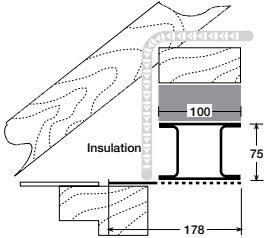
Eaves Boxes - 100mm Walls

LIGHT DUTY
BE 100-75

STANDARD/MEDIUM DUTY
BE 100-150

MEDIUM DUTY
BE 100-150/4

HEAVY DUTY
BE 100-225



Lintel Section Properties

lxx	117.00 cm ⁴
Zxx	31.11 cm ³
Weight	9.85 kg/m
Area	12.54 cm ²
Ryy	3.18 cm

Lintel Section Properties

lxx	530.00 cm ⁴
Zxx	73.81 cm ³
Weight	13.06 kg/m
Area	16.62 cm ²
Ryy	3.14 cm

Lintel Section Properties

lxx	704.44 cm ⁴
Zxx	98.04 cm ³
Weight	17.41 kg/m
Area	22.16 cm ²
Ryy	3.14 cm

Lintel Section Properties

lxx	2976.72 cm ⁴
Zxx	201.26 cm ³
Weight	20.22 kg/m
Area	25.74 cm ²
Ryy	3.50 cm

Typical Optional Features

<i>Option</i>	<i>Spec. Suffix</i>
No Plaster Key on Base	Suffix /NP
Plaster Key Inside	Suffix /PS

Typical Optional Features

<i>Option</i>	<i>Spec. Suffix</i>
No Plaster Key on Base	Suffix /NP
Plaster Key Inside	Suffix /PS

Typical Optional Features

<i>Option</i>	<i>Spec. Suffix</i>
No Plaster Key on Base	Suffix /NP
Plaster Key Inside	Suffix /PS

Typical Optional Features

<i>Option</i>	<i>Spec. Suffix</i>
No Plaster Key on Base	Suffix /NP
Plaster Key Inside	Suffix /PS

Lintel Load Capacity Table

Opening Span	Lintel Length	Safe Load kN
600	900	40
750	1050	40
900	1200	35
1050	1350	30
1200	1500	25
1350	1650	21
1500	1800	17
1650	1950	13

Where no load is shown a heavier duty lintel is needed

Lintel Load Capacity Table

Opening Span	Lintel Length	Safe Load kN
600	900	50
750	1050	50
900	1200	50
1050	1350	50
1200	1500	50
1350	1650	50
1500	1800	40
1650	1950	40
1800	2100	40
1950	2250	30
2100	2400	30
2250	2550	30
2400	2700	30
2550	2850	25
2700	3000	25
2850	3150	20

Where no load is shown a heavier duty lintel is needed

Lintel Load Capacity Table

Opening Span	Lintel Length	Safe Load kN
600	900	55
750	1050	55
900	1200	55
1050	1350	55
1200	1500	55
1350	1650	55
1500	1800	55
1650	1950	55
1800	2100	55
1950	2250	55
2100	2400	55
2250	2550	47
2400	2700	41
2550	2850	36
2700	3000	31
2850	3150	28
3000	3300	24
3150	3450	21
3300	3600	19
3450	3750	17
3600	3900	15

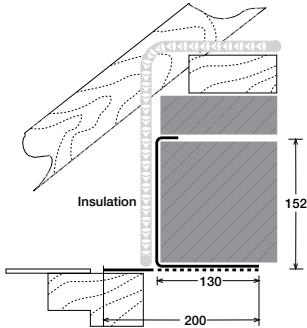
Where no load is shown a heavier duty lintel is needed

Lintel Load Capacity Table

Opening Span	Lintel Length	Safe Load kN
600	900	80
750	1050	80
900	1200	80
1050	1350	80
1200	1500	80
1350	1650	80
1500	1800	80
1650	1950	80
1800	2100	80
1950	2250	80
2100	2400	80
2250	2550	70
2400	2700	70
2550	2850	60
2700	3000	60
2850	3150	60
3000	3300	60
3150	3450	50
3300	3600	50
3450	3750	50
3600	3900	50
3750	4050	40
3900	4200	40
4050	4350	35
4200	4500	35
4350	4650	35
4500	4800	35

Eaves Boxes - 140mm Walls

**LIGHT DUTY
ESCE**



Lintel Section Properties

lxx	355.00 cm ⁴
Zxx	34.75 cm ³
Weight	8.15 kg/m
Area	10.38 cm ²
Ryy	3.94 cm

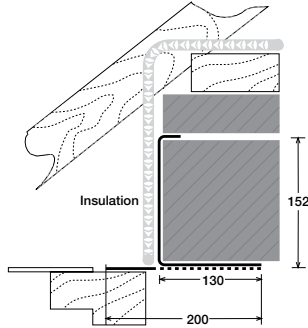
Typical Optional Features	
Option	Spec. Suffix
No Plaster Key on Base	Suffix /NP
Plaster Key Inside	Suffix /PS

Lintel Load Capacity Table

Opening Span	Lintel Length	Safe Load kN
600	900	30
750	1050	30
900	1200	30
1050	1350	30
1200	1500	30
1350	1650	28
1500	1800	26
1650	1950	23
1800	2100	22
1950	2250	20
2100	2400	19
2250	2550	17
2400	2700	16
2550	2850	15
2700	3000	15

Where no load is shown a heavier duty lintel is needed

**STANDARD DUTY
ESCE/4**



Lintel Section Properties

lxx	601.63 cm ⁴
Zxx	73.10 cm ³
Weight	11.82 kg/m
Area	15.04 cm ²
Ryy	3.94 cm

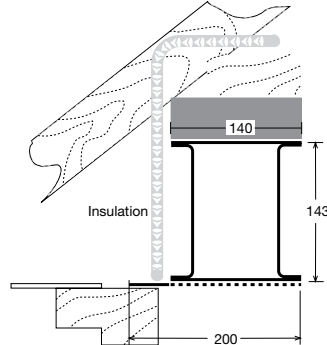
Typical Optional Features	
Option	Spec. Suffix
No Plaster Key on Base	Suffix /NP
Plaster Key Inside	Suffix /PS

Lintel Load Capacity Table

Opening Span	Lintel Length	Safe Load kN
600	900	50
750	1050	50
900	1200	50
1050	1350	50
1200	1500	50
1350	1650	48
1500	1800	46
1650	1950	43
1800	2100	42
1950	2250	40
2100	2400	36
2250	2550	33
2400	2700	31
2550	2850	26
2700	3000	23
2850	3150	19
3000	3300	17
3150	3450	14
3300	3600	12
3450	3750	10
3600	3900	9

Where no load is shown a heavier duty lintel is needed

**STANDARD/MEDIUM DUTY
BE 140-150**



Lintel Section Properties

lxx	677.42 cm ⁴
Zxx	94.25 cm ³
Weight	15.41 kg/m
Area	19.62 cm ²
Ryy	5.15 cm

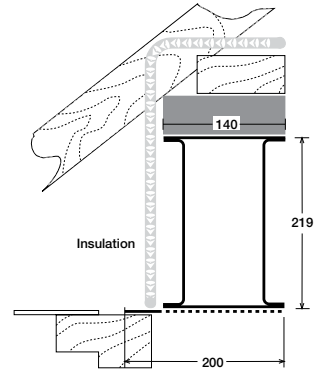
Typical Optional Features	
Option	Spec. Suffix
No Plaster Key on Base	Suffix /NP
Plaster Key Inside	Suffix /PS

Lintel Load Capacity Table

Opening Span	Lintel Length	Safe Load kN
600	900	60
750	1050	60
900	1200	60
1050	1350	60
1200	1500	60
1350	1650	60
1500	1800	60
1650	1950	60
1800	2100	55
1950	2250	50
2100	2400	50
2250	2550	45
2400	2700	40
2550	2850	35
2700	3000	30
2850	3150	30

Where no load is shown a heavier duty lintel is needed

**HEAVY DUTY
BE 140-225**



Lintel Section Properties

lxx	1797.66 cm ⁴
Zxx	163.57 cm ³
Weight	19.00 kg/m
Area	24.18 cm ²
Ryy	5.22 cm

Typical Optional Features	
Option	Spec. Suffix
No Plaster Key on Base	Suffix /NP
Plaster Key Inside	Suffix /PS

Lintel Load Capacity Table

Opening Span	Lintel Length	Safe Load kN
600	900	80
750	1050	80
900	1200	80
1050	1350	80
1200	1500	80
1350	1650	80
1500	1800	80
1650	1950	80
1800	2100	80
1950	2250	80
2100	2400	80
2250	2550	70
2400	2700	70
2550	2850	60
2700	3000	60
2850	3150	60
3000	3300	60
3150	3450	50
3300	3600	50
3450	3750	50
3600	3900	50
3750	4050	40
3900	4200	40
4050	4350	35
4200	4500	35
4350	4650	35
4500	4800	35