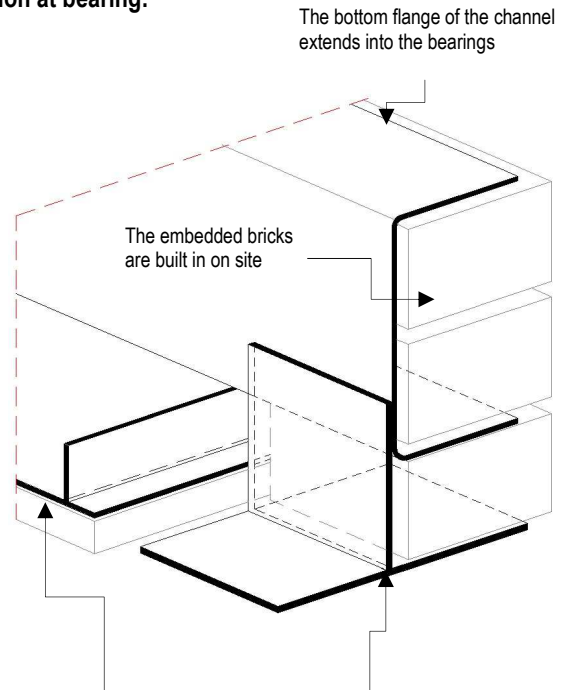
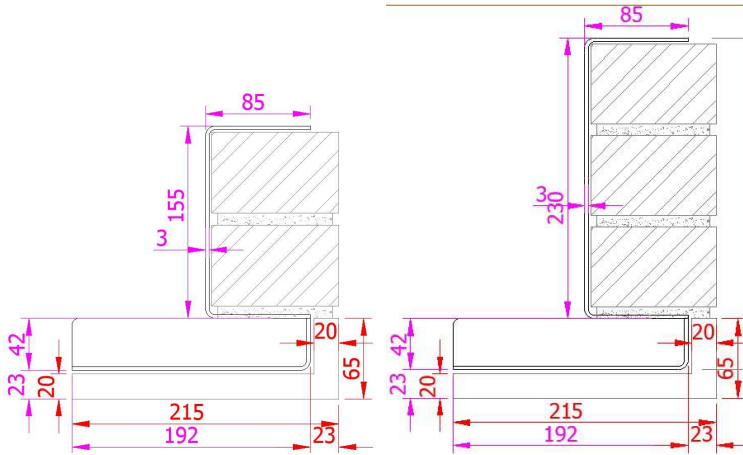


Brick slip lintels

L section range medium duty 65 x 215 mm

Section at span:

Section at bearing:



C 65-215 / H215

Lintel section properties

Ixx	889.1	cm ⁴
Zxx	97.7	cm ³
Weight	12.9	Kg/m
Area	16.2	cm ²
Ryy	4.6	cm

Lintel load Capacity Table

Opening Span	Lintel Length	Safe Load kN
600	900	54.0
750	1050	54.0
900	1200	54.0
1050	1350	54.0
1200	1500	54.0
1350	1650	54.0
1500	1800	54.0
1650	1950	54.0
1800	2100	54.0
1950	2250	54.0
2100	2400	54.0
2250	2550	51.1
2400	2700	47.9
2550	2850	45.0
2700	3000	42.5
2850	3150	40.3
3000	3300	38.3

C 65-215 / H290

Lintel section properties

Ixx	1911.8	cm ⁴
Zxx	158.1	cm ³
Weight	14.8	Kg/m
Area	18.5	cm ²
Ryy	4.33	cm

Lintel load Capacity Table

Opening Span	Lintel Length	Safe Load kN
600	900	64.0
750	1050	64.0
900	1200	64.0
1050	1350	64.0
1200	1500	64.0
1350	1650	64.0
1500	1800	64.0
1650	1950	64.0
1800	2100	64.0
1950	2250	64.0
2100	2400	64.0
2250	2550	64.0
2400	2700	62.8
2550	2850	58.5
2700	3000	54.7
2850	3150	51.3
3000	3300	48.2

Bottom part (for brick slips) cut in line of the structural opening

End bearing foot within joint 20 mm back from

This section uses a CS or CM lintel with an additional angle to support a 65 mm high x 215 mm soffit. Other dimensions to suit different size bricks also available.

The section provides a bearing on the bottom flange with second bearing at the "foot".

Default material stainless steel SS370 (EN 1.4003) also available in stainless steel LDX2101 (EN 1.4162) or S250GD + Z600.

The safe working load SWL represent the maximum factored load uniform distributed load the lintel can carry. 102.5 mm width brickwork is taken as 2.2 ken/m².

Bearings; min 150mm each side, for high loads longer bearings may be needed, and bearing stresses should be checked